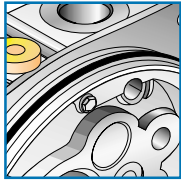


THE **NEW** HYDRAULIC POWER PACKS FOR ROUGH CONDITIONS  
HE-BOX POWER PACKS





# The NEW He-Box Power Packs

From the well-known and well-reputed Hesselman Classic (made by Haldex Barnes) the New He-Box Power Pack is developed. The base concept is the He Power Pack, which, with a box in steel/TPE combination, is a hydraulic unit for easy mounting, tough conditions, and high serviceability.

### Advantages

- Developed from the successful Hesselman and He Power packs
- Developed for outside mounting on trucks in tough weather conditions
- High serviceability through standard based concept
- A global supplier with world wide coverage of dealers
- High resistance against extreme temperatures, dirt, salt, water and vibrations
- Easy to mount - 4 bolts from outside - nuts already fixed
- Optional left or right hand hydraulic and electric connections
- Optional customised colour on box and cover at quantities of >500/year
- Optional customer logo on cover at >500/year



### 1 or 2 kW Performance He-Box Power Pack

- Length 410 mm, overall 456 mm
- Outdoor applications
- Standard components
- Easy to maintain
- Easy to mount
- Left or right hand connections
- Ø 85 mm or Ø112 mm DC motor available
- Quiet version He-Q(quiet) with Ø 112 mm motor available
- He1000 or He2000 adapter
- Max 7 l (usable) capacity reservoir
- Space for extra equipment
- Box: Aluzink sheet metal
- Cover: TPE plastic

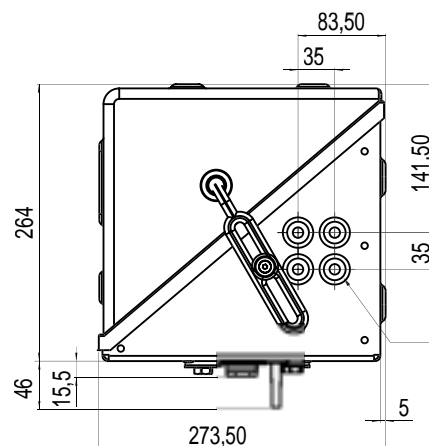
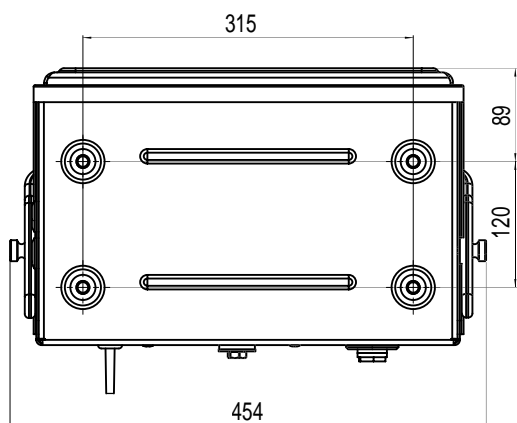
### 1, 2 or 3 kW Performance He-Box Power Pack

- Length 540 mm, overall 579 mm
- Outdoor applications
- Standard components
- Easy to maintain
- Easy to mount
- Left or right hand connections
- Ø 85 mm, Ø 112 or Ø 125 mm DC motor available
- Quiet version He-Q(quiet) with Ø 112 mm motor available
- He1000 or He2000 adapter
- Max 7 l (usable) capacity reservoir
- Space for extra equipment
- Box: Aluzink sheet metal
- Cover: TPE plastic

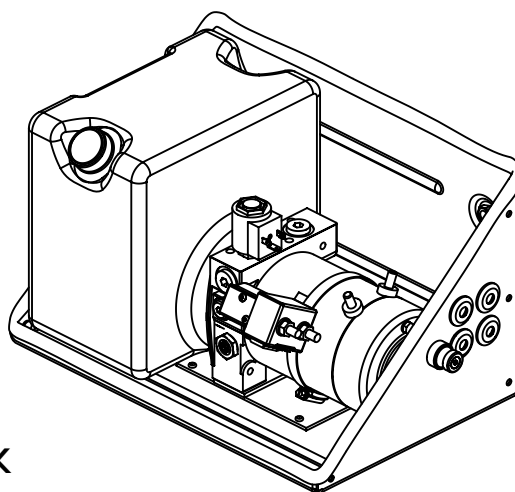
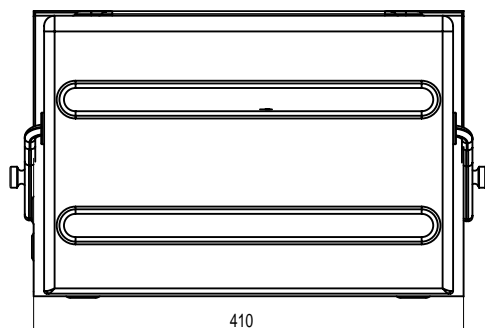


## HE POWER PACK

with box 1 or 2 kW Performance

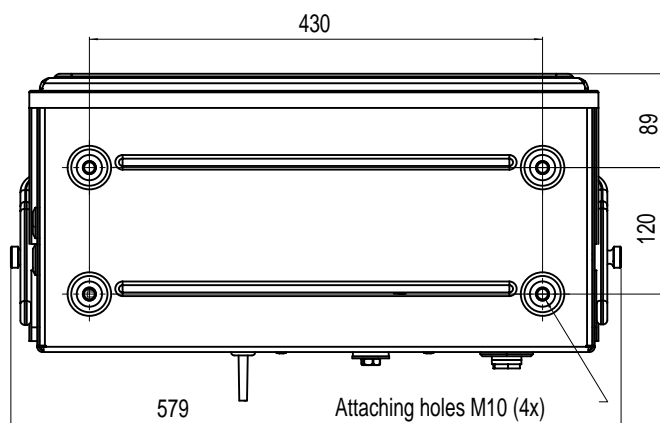


Grommets for hydraulic outlets and el. cables.

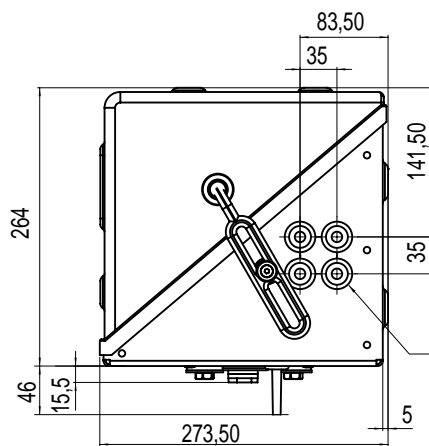


## HE POWER PACK

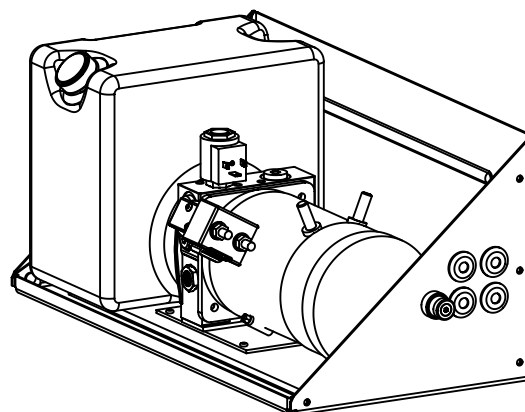
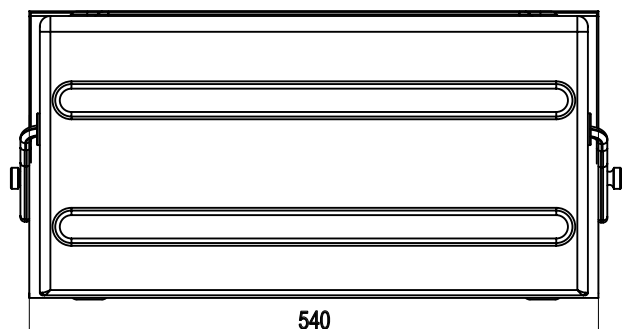
with box 1, 2 or 3 kW Performance



Attaching holes M10 (4x)



Grommets for hydraulic outlets and el. cables.



[www.hbus.haldex.com](http://www.hbus.haldex.com)



**Haldex Barnes Corp.**  
P O Box 6166 15th Street  
ROCKFORD, Illinois 61125  
USA  
Tel: +1-815 398 4400  
Fax: +1-815 398 5977  
E-mail: [sales@hbus.haldex.com](mailto:sales@hbus.haldex.com)

**Haldex Barnes Corp.**  
James Farm Road  
RR 18 Box 36  
Statesville, NC 28677  
USA  
Tel: +1-704 873 2587  
Fax: +1-704 878 0530  
E-mail: [sales@hbus.haldex.com](mailto:sales@hbus.haldex.com)

**Haldex Barnes AB**  
Box 95  
SE-280 40 SK. FAGERHULT  
Sweden  
Tel: +46-433 32400  
Fax: +46-433 30546  
E-mail: [sales@hbse.haldex.com](mailto:sales@hbse.haldex.com)

**Haldex Barnes AB**  
Box 511  
SE-195 25 MÄRSTA  
Sweden  
Tel: +46-8 591 288 50  
Fax: +46-8 591 288 60  
E-mail: [sales@hbse.haldex.com](mailto:sales@hbse.haldex.com)

**Haldex Barnes GmbH**  
Postfach1507  
D-95014 HOF  
Germany  
Tel: +49-9281 895-0  
Fax: +49-9281 87133  
E-mail: [sales@hbde.haldex.com](mailto:sales@hbde.haldex.com)



The Haldex Group is a global supplier of proprietary products for trucks, cars, and industrial vehicles with special emphasis on performance & safety. Haldex is listed on the Stockholm Stock Exchange and has annual sales of over SEK 6 billion with 4,300 employees.

## PRODUCT RANGE

**He Power Packs**  
12/24/48 VDC 0.8 – 3.5 kW and  
0.75 – 3 kW AC modular power  
packs

**Pressure Switches**  
5 - 350 bar, connecting/  
disconnecting

**He Classic Power Packs**  
12/24/48 VDC modular  
powerpacks in weatherproof  
boxes

**W300 Hydraulic pumps**  
0.8 – 5.7 cc 230 bar

**W600 Hydraulic pumps**  
3 – 12 cc/section 276 bar

**WM600 Hydraulic pumps**  
3 – 12 cc/section 276 bar

**W900 Hydraulic pumps**  
5 – 31 cc/section 276 bar

**WM900 Hydraulic motors**  
6 - 31 cc/section 276 bar

**WQ900 The quiet pump**  
5 - 23 cc/section 230 bar

**W1500 Hydraulic pumps**  
19 - 50 cc/section 276 bar

**WM1500 Hydraulic motors**  
19 - 50 cc/section 276 bar

**G25 Hydraulic pumps**  
21.3 – 63 cc/section 250 bar

**GPA Internal Gear pumps**  
1.7 – 63 cc/section 100 bar

**GC Hydraulic pumps**  
1.06 – 11.65 cc/section 276 bar

**II-Stage Hydraulic pumps**  
4.2 – 22.8 cc/section 276 bar

**Rotary Flow Dividers**  
3.8 – 13.3 cc/section 300 bar

**G20/G30 (LS) Hydraulic pumps**  
23 – 161 cc/section 276 bar

**Transmission pumps**

**Fuel pumps**